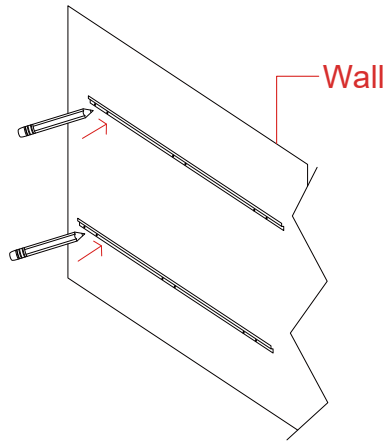
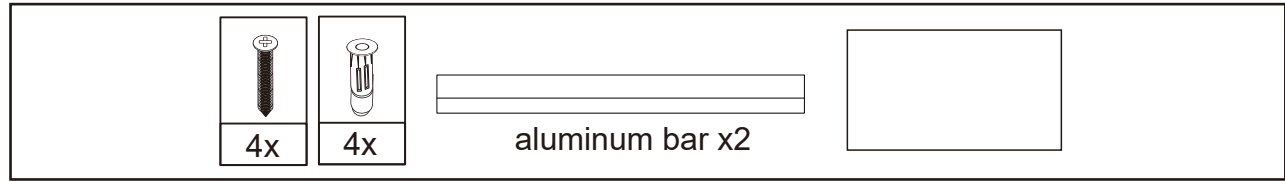
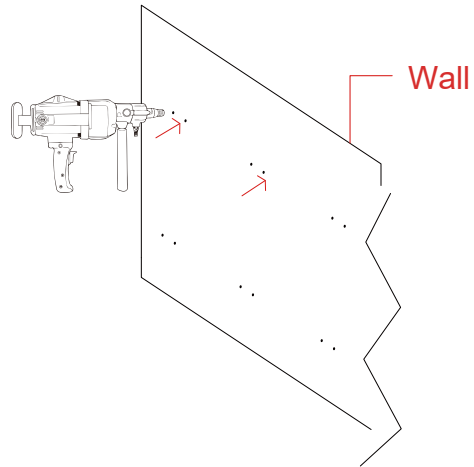


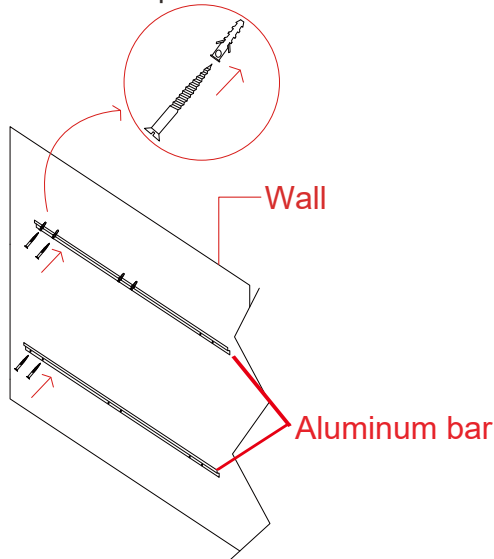
Hang Ultra White Magnetic Glassboard



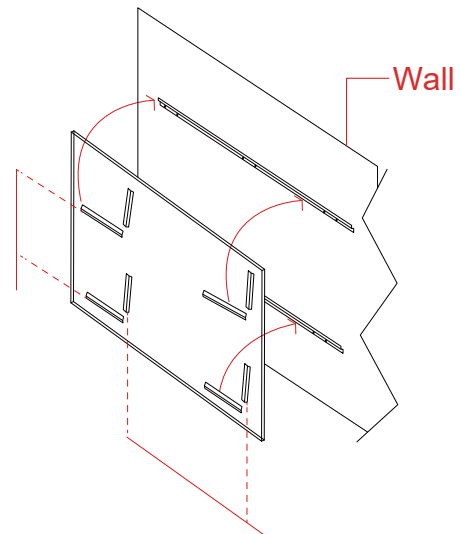
1.Hole position



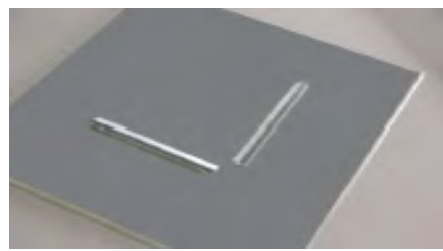
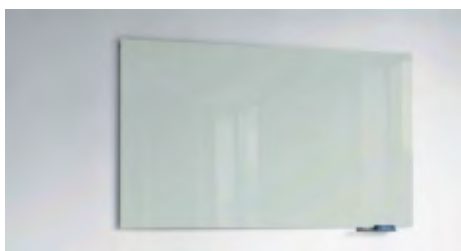
2.Drill holes



3.Fix aluminum bar



4.Hang glass board



Clip fixed Ultra White Magnetic Glassboard

